

Accessories for Cameras iNova PLxCam

1. Accessories

- Autoguiding cable (ST4 style)

- One end of the cable connects to the camera and the other end to the mount (through the autoguiding port) via an RJ12 connector (at each end).
- This cable is for transmitting correction orders to the equatorial mount.



- Focal reducer 0.72x

- With a male C/S mount thread as input and 28.5mm female thread as output (compatible with 1.25" filter, or 1.25" extension tube).
- In solar imaging, this accessory is recommended to get a whole solar disk with a 1/3" sensor with a Coronado PST (focal length = 400mm).



iNova

www.inova-ccd.com

- **Focal reducer 0.5x**

- With a male / female thread as input and output.
- For *autoguiding*, this accessory is recommended to reduce the F ratio of an instrument (with a high F ratio) used as a guide telescope (refractor, Maksutov-Cassegrain or Schmidt-Cassegrain); it gives a better sensitivity to the autoguiding solution for detecting a guide star and reducing the turbulence effect on the guide star (bad effect when autoguiding).



- **Canon Eos EF Objective lens to C Mount (M) adapter**

- For adapting a Canon (Eos model) EF objective lens to all *I-Nova* cameras or others having a female C/CS mount.
- Main usage if for wide-field imaging or autoguiding.



- **65mm Ring for Canon Objective lens**

- With a female Kodak thread socket.



- **Mini dovetail for Vixen/SkyWatcher**

- To fix an accessory with a female Kodak thread socket.



- **Viewfinder 50mm for autoguiding**

- Equipped with a 1.25" eyepiece holder to allow to fit an autoguiding camera.
- Delivered with holder and base type Vixen/SkyWatcher.



2. Adapters

- **C/CS mount Male to 1.25" nose**

- Can be used with all "industrial" cameras like Imaging Source, Point Grey, Basler, AVT Prosilica, ...



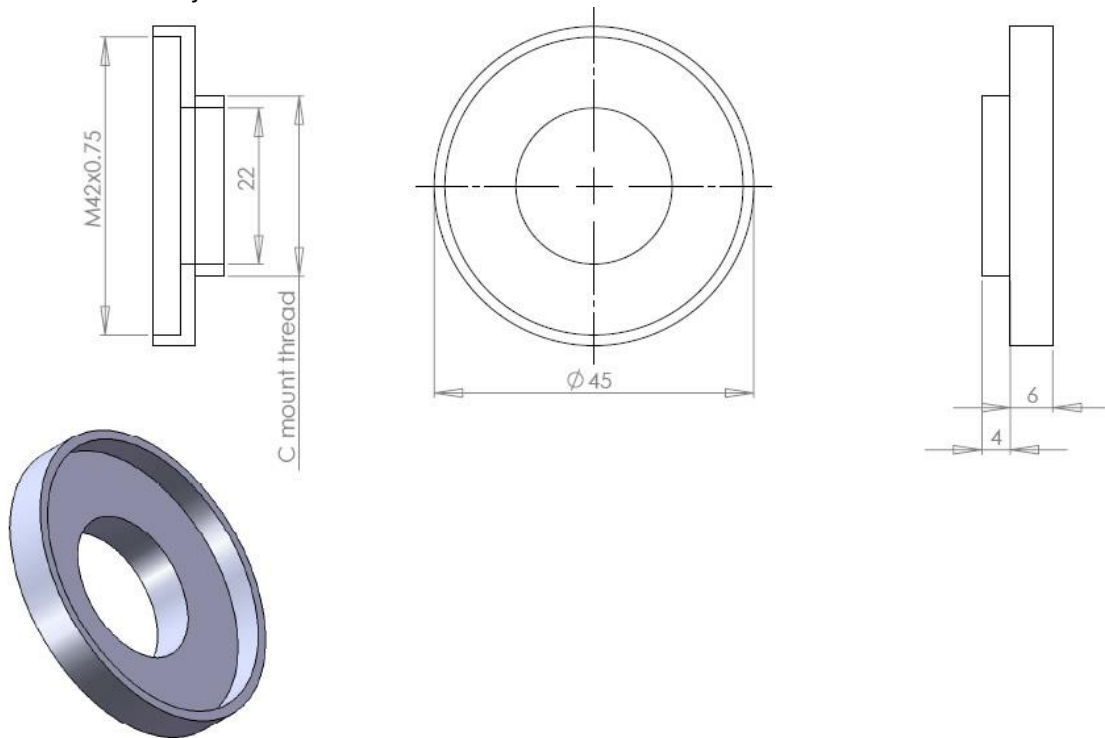
- **M42/0.75mm Male to C/CS mount Female**

- For camera with T2 Female output (M42/0.75mm);
- Allows to adapt C/CS mount compatible accessories as C/CS objective lens, Focal reducer 0.72x, ...



- **C/CS mount Male to T2 female (M42/0.75mm)**

- This adapter allows to use the camera with various accessories as filter wheel, off-axis guider and objective lens.



- **C/CS Mount Male to M12 female**

- This adapter allows to use the camera with M12 objective lens (example: Fisheye).

- **C/CS mount extension tube – back focus 5mm**

- To screw between the camera and a C-objective lens to get the right distance for focus.
- Can also be useful to increase reducing ratio of the focal reducer 0.72x.



- **Extension tube T2-M42/0.75**

- Exists in various lengths (4, 5, 6, 10, 12, 15, 20, 28, 46 mm).
- Allows to adjust the focal length of various accessories as off-axis guider, filter wheel, focal reducer / flattener, etc...

- **Extension tube 1.25"**

- Exists in various lengths (15, 25, 45, 75, 120mm).
- Allows to increase the distance between the barlow lens and the focal plane and then to change the magnification factor of the barlow lens; this is very useful for planetary imaging (all elements are screwed together to get a very high rigidity, without any flexion).



Cameras <i>I-Nova</i>	"Industrial" cameras*	Other (T2 - M42/0.75mm)
--------------------------	--------------------------	----------------------------

Accessories

Autoguiding cable (ST4 style)	✓	✗	Possible if camera has a built-in ST4 port
Focal reducer 0.72x	✓	✓	OK with M42/0.75mm (M) to C/CS mount (F) adapter
Focal reducer 0.5x	With C/CS mount M to 1.25" nose	With C/CS mount M to 1.25" nose	With 1.25" nose
Canon Eos EF Objective lens to C Mount (M) adapter	✓	✓	Possible with Canon Eos EF Objective lens to T2 - M42/0.75mm model
65mm Ring for Canon Objective lens	With Canon Eos EF object. lens	With Canon Eos EF object. lens	With Canon Eos EF object. lens
Mini dovetail for Vixen/SkyWatcher	With 65mm Ring for Canon objective lens	With 65mm Ring for Canon objective lens	With 65mm Ring for Canon objective lens
Viewfinder 50mm for autoguiding	✓	With C/CS mount (M) to 1.25" nose	Compatible with all cameras with 1.25" nose

Adapters

C/CS mount (M) to 1.25" nose	✓	✓	✗
M42/0.75mm (M) to C/CS mount (F)	✗	✗	✓
C/CS mount (M) to T2 - M42/0.75mm (F)	✓	✓	✗
C/CS Mount (M) to M12 (F)	✓	✓	With M42/0.75mm (M) to C/CS mount (F) adapter
C/CS mount extension tube – back focus 5mm	✓	✓	With M42/0.75mm (M) to C/CS mount (F) adapter
Extension tube T2 - M42/0.75	With C/CS mount (M) to T2 - M42/0.75mm (F) adapter	With C/CS mount (M) to T2 - M42/0.75mm (F) adapter	✓
Extension tube 1.25"	✓	With C/CS mount (M) to 1.25" nose	✓

(M): Male thread
(F): Female thread

*: Imaging Source, Point Grey, Basler, AVT Prosilica,
...